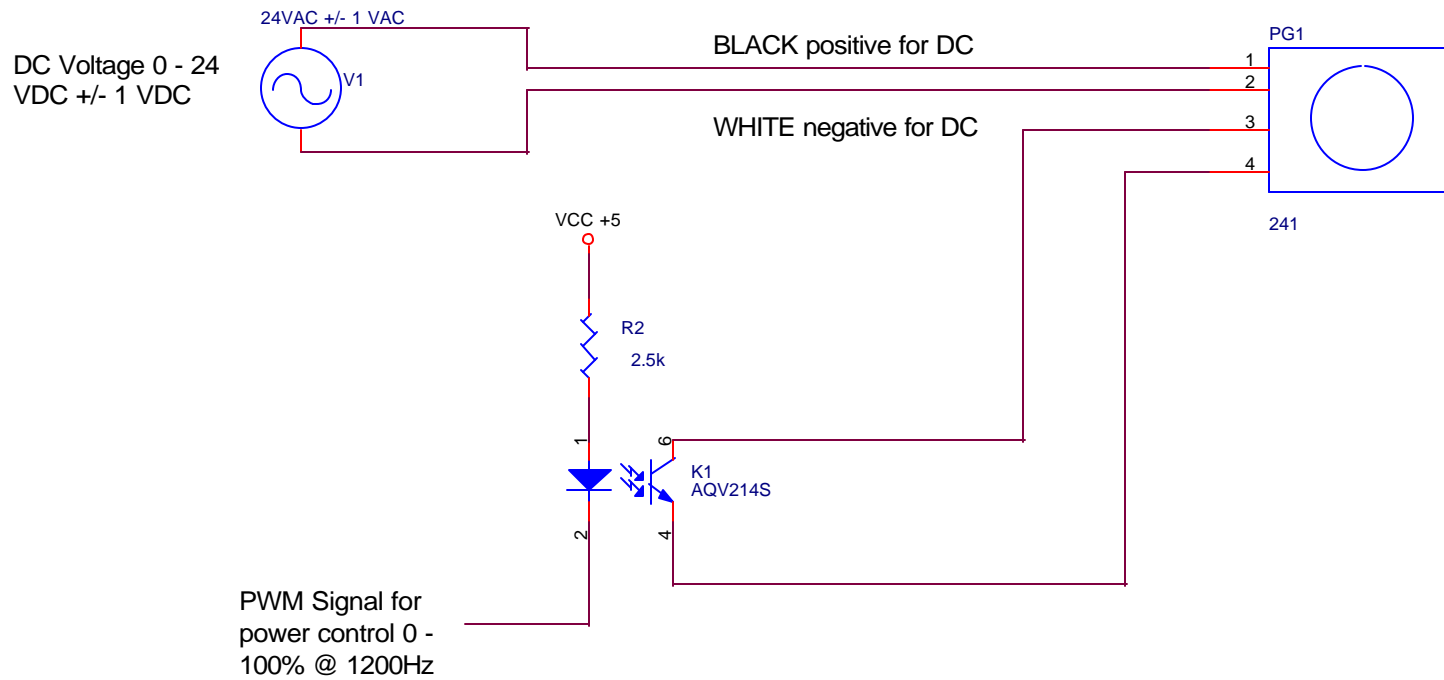


Power to the 241 can be controlled three ways.  
 Variabe 24 VAC or variable 24 VDC or PWM below.



Title		
241 Power Control		
Size A	Document Number	Rev
Date: Monday, August 25, 2008	Sheet 1 of 1	